

# **Rittal – The System.**

**Faster – better – everywhere.**



**Erdungsset**  
**Earthing kit**  
**Kit de mise à masse**  
**Aardingsset**  
**Jordningsset**  
**Set di massa a terra**  
**Juego de puesta a tierra**

DK 7829.150

**Montageanleitung**  
**Assembly instructions**  
**Notice de montage**  
**Montagehandleiding**  
**Montageanvisning**  
**Istruzioni di montaggio**  
**Instrucciones de montaje**

ENCLOSURES

POWER DISTRIBUTION

CLIMATE CONTROL

IT INFRASTRUCTURE

SOFTWARE & SERVICES

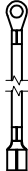







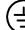


FRIEDHELM LOH GROUP

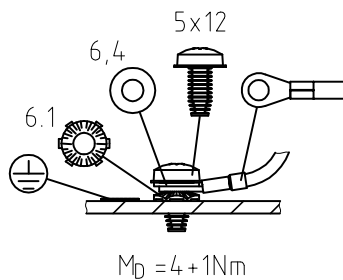
TX 25

SW 13

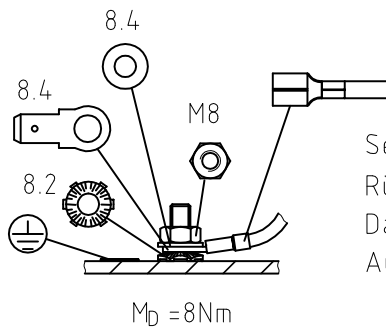
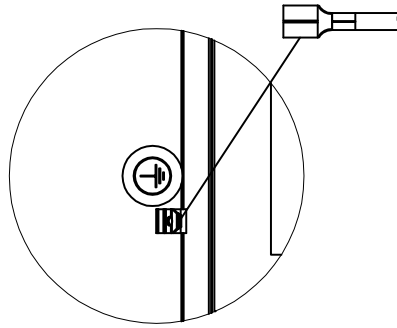


									
Seitenwände / side panels	2	2	2	2	2	2	2	2	4
Sichttür / glazed door	1	1	1	1	-	-	-	-	2
Rücktür / rear door	1	1	1	1	1	1	1	1	2
Dachblech / roof plate	3	3	3	3	1	1	1	1	6
Aufsatzblech / cover plate	1	1	1	1	1	1	1	1	2
Anzahl / quantity	8	8	8	8	5	5	5	5	16

## Rahmen / frame

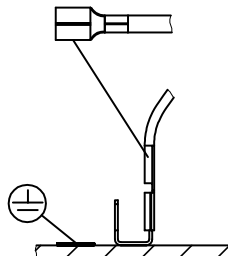


## Sichttür/glazed door



Seitenwand / side panel  
Rücktür / rear door  
Dachblech / roof plate  
Aufsatzblech / cover plate

## Dachblech / roof plate



# Rittal – The System.

Faster – better – everywhere.

- Enclosures
- Power Distribution
- Climate Control
- IT Infrastructure
- Software & Services

02.2015/A2779304IT74/259681

RITTAL GmbH & Co. KG  
Postfach 1662 · D-35726 Herborn  
Phone + 49(0)2772 505-0 · Fax + 49(0)2772 505-2319  
E-mail: [info@rittal.de](mailto:info@rittal.de) · [www.rittal.com](http://www.rittal.com)

ENCLOSURES

POWER DISTRIBUTION

CLIMATE CONTROL

IT INFRASTRUCTURE

SOFTWARE & SERVICES



FRIEDHELM LOH GROUP